

## TROUBLESHOOTING

Phenomenon	Reasons	Maintenance
Without steam	<ol style="list-style-type: none"> <li>1.steam generator without water.</li> <li>2.inside infrared pipe burn out of steam generator.</li> <li>3.block of steam spray mouth.</li> <li>4.probe out off control.</li> <li>5.the temperature inside steam room is over the temperature what were set.</li> <li>6.after fill into water it is still not the time for steam working.</li> <li>7.it is overtime for the setting time.</li> <li>8.unconnect with the control wire.</li> </ol>	<ol style="list-style-type: none"> <li>1.check if the switch of water in be turn on or not.</li> <li>2.change the infrared pipe.</li> <li>3.get rid of mess.</li> <li>4.check the connection wire and change the probe.</li> <li>5.waiting decrease the temperature.</li> <li>6.be waiting few minutes.</li> <li>7.adjust the setting time.</li> <li>8.connect to control wire.</li> </ol>
Water pipe leaking	<ol style="list-style-type: none"> <li>1.plastic seal ring be connected untightly.</li> <li>2.screws unlock.</li> <li>3.connection is glued not good.</li> <li>4.water pipe be damaged.</li> </ol>	<ol style="list-style-type: none"> <li>1.change the plastic seal ring.</li> <li>2.screws should be installed tightly.</li> <li>3.get rid of the PVC glue then stick the glue again till it is be well done.</li> <li>4.change the water pipe.</li> </ol>
Computer panel under control	<ol style="list-style-type: none"> <li>1.power not be connected well,electronic leakage device without power.</li> <li>2.switch of control panel out of control.</li> </ol>	<ol style="list-style-type: none"> <li>1.get through the power again.</li> <li>2.change the computer panel.</li> </ol>
Without lighting	<ol style="list-style-type: none"> <li>1.bulb be burned.</li> <li>2.without power.</li> <li>3.switch of control panel out of control.</li> </ol>	<ol style="list-style-type: none"> <li>1.change bulb.</li> <li>2.get through power gain.</li> <li>3.maintain or change the computer panel.</li> </ol>
Without sounds	<ol style="list-style-type: none"> <li>1.speaker be broken</li> <li>2.without power</li> <li>3.switch of control panel out of control</li> </ol>	<ol style="list-style-type: none"> <li>1.change the speaker</li> <li>2.get through power again</li> <li>3.maintain or change the computer panel</li> </ol>
Telephone connection unworking	<ol style="list-style-type: none"> <li>1.telephone wire not connected well or be damaged.</li> <li>2.telephone's device be blocked.</li> </ol>	<ol style="list-style-type: none"> <li>1.check the wires of telephone and electronic box if get through or not, if there is something wrong replace by the similar wires.</li> <li>2.get rid of mess.</li> </ol>

Note: Instead the fittings must choose the same parameters of fittings.

WS-301M

# PRODUCT MANUAL

★All we do our best for the particular and definitude of the products information making , but only for reference , please depend on the practise and reality in detail .

★Our company keep down the authority of amending the aspects and the spare parts , according as the scheme's or parameter's redressal

which was come out from technical renewal , sorry to will not offer any notice.

★our company reserve the final explanation and modify right for all the contents.



Do not dispose this product as unsorted municipal waste. Collection of such waste separately for special treatment is necessary.

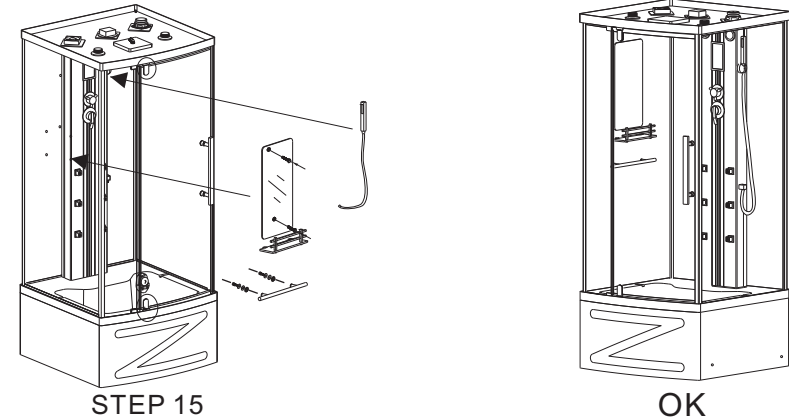
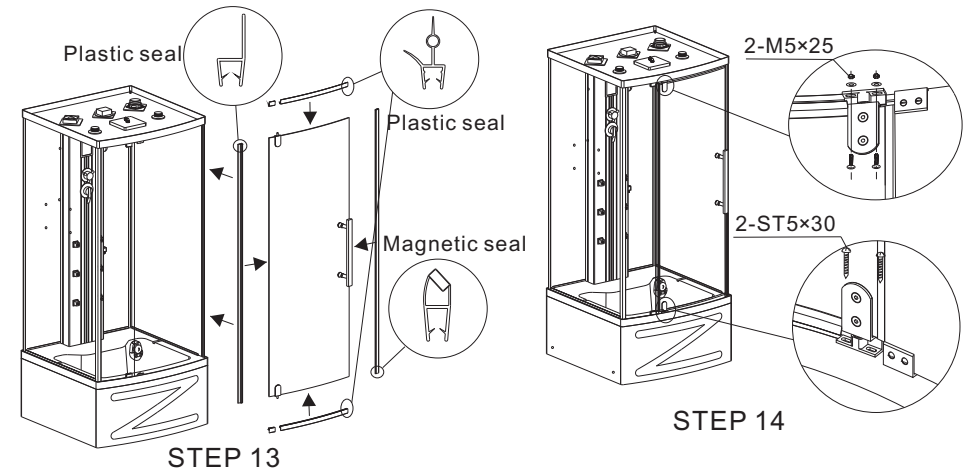
Dera user,  
Thank you very much for purchasing our sanitary ware. To enable you to use this product safely and effectively, please read this installation and operation manual carefully before use.

Notice

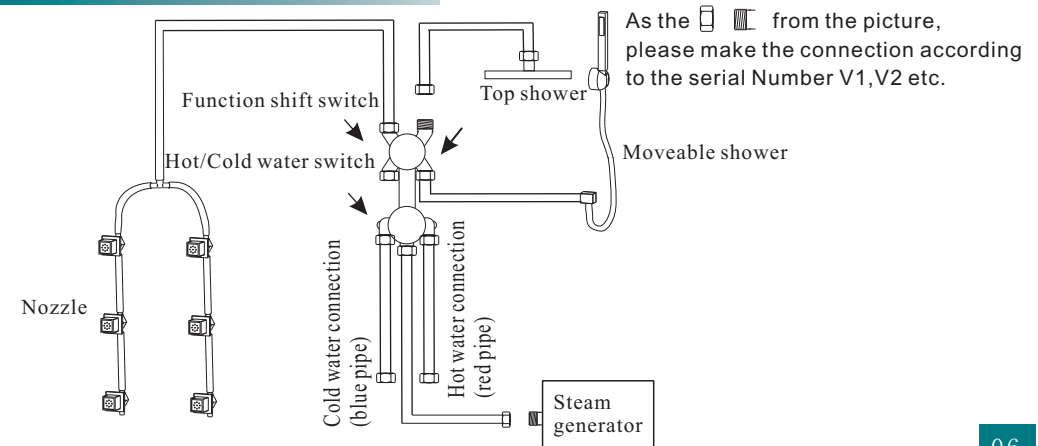
1. Please connect the water pipe before installed the products.
2. Please ensure that the product installed reliable electric leakage protection device, the power plug contains earthing conductor, and make sure it is reliable for earthing. Check the protect system of leakage protection each time before use.
3. People with Hypertension symptom, after drink or heart disease are not allowed to use this product. Children have a bath must under adult's guidance.
4. During using, please noticed that don't block the jets completely in case of water leakage by the air switch . Also keep this product clean and don't let it block with hair or mess.
5. During using, please firstly adjust the water temperature in case of being burned.
6. During using, please pay more attention of slip.
7. Please shut down the system when not use.
8. Don't turn on all the electricals in the steamroom for long time.

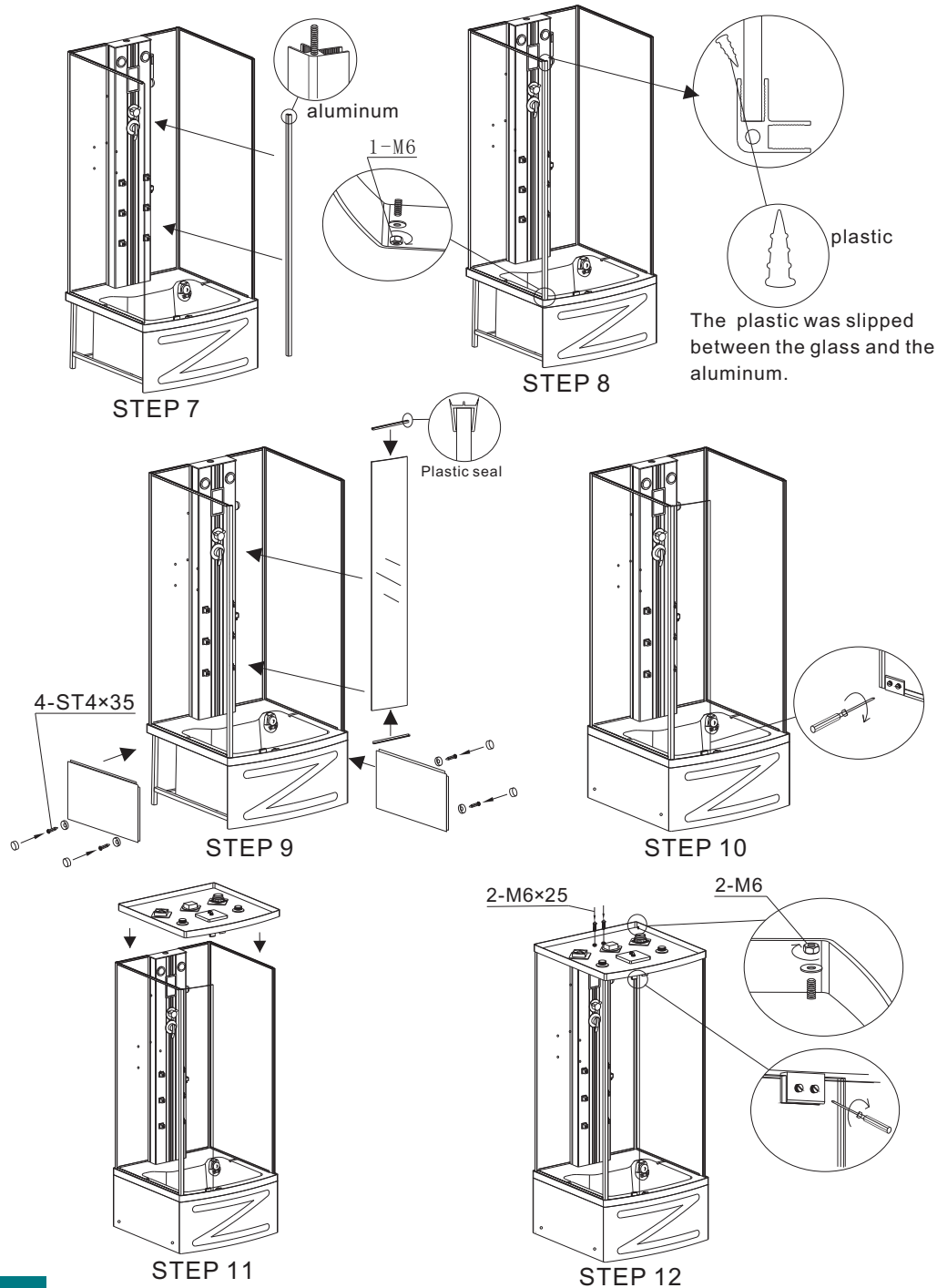
Technical Parameter

Size: 900×900×2150mm  
Voltage: 220V-240V 50Hz/60Hz  
Hydraulic pressure: 0.1 ~ 0.2Mpa  
Power of steam generator : 3000 W  
light: AC12V-20W  
Ozone: AC12V-6W

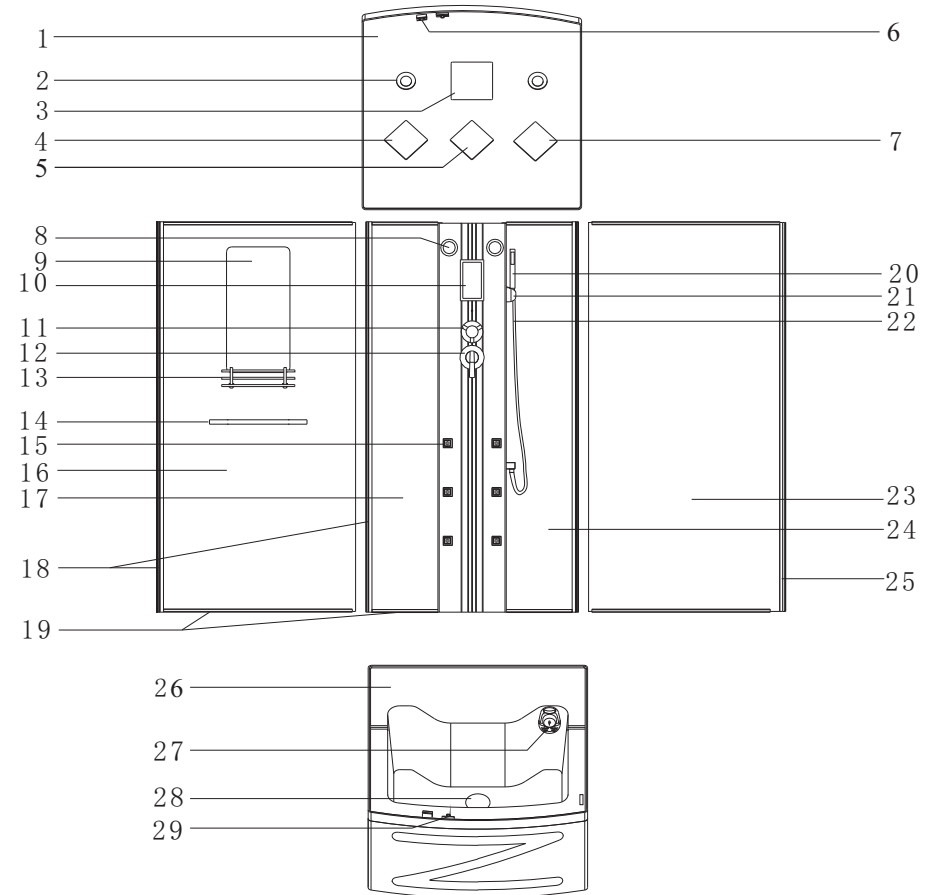


Drawing of water connection

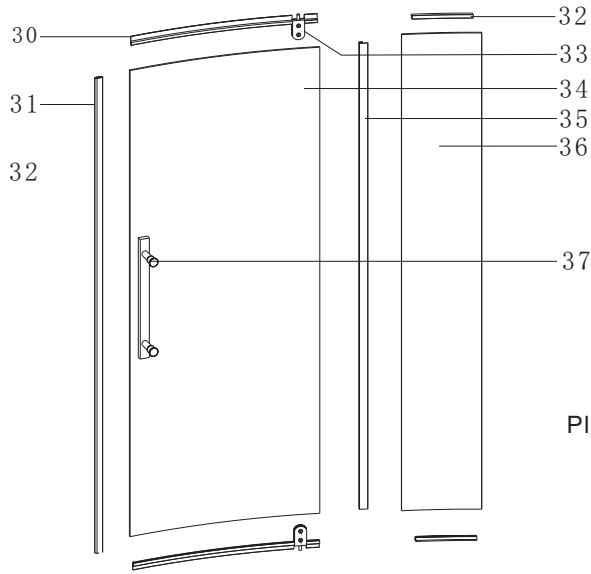




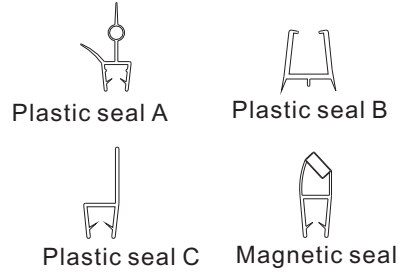
CONSTRUCTION SKETCH



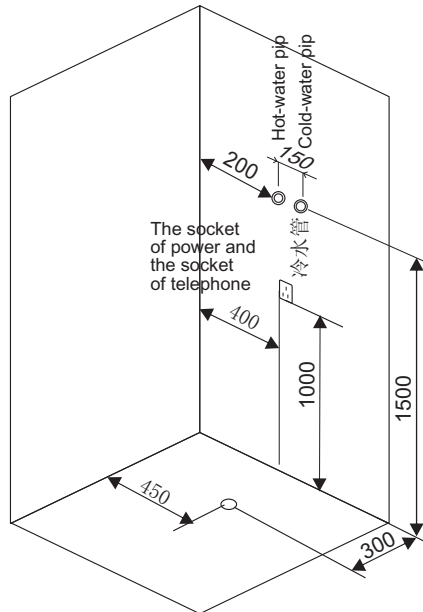
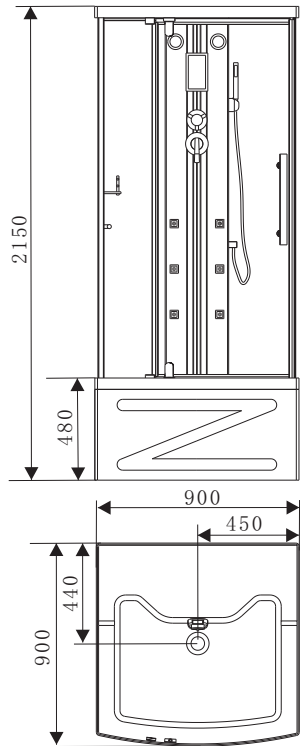
- |                   |                          |                      |
|-------------------|--------------------------|----------------------|
| 1.Roof            | 10.Control panel         | 19.Plastic seal      |
| 2.Top light       | 11.Fuction shift switch  | 20.Moveable shower   |
| 3.Top shower      | 12.Hot/cold water switch | 21.Shower holder     |
| 4.Exhaust fan     | 13.Storage shelf         | 22.Shower chain      |
| 5.Ozone           | 14.Handrail              | 23.Right body glass  |
| 6.Aluminous clamp | 15.Nozzle                | 24.Back glass(Right) |
| 7.Speaker         | 16.Left body glass       | 25.Magnetic seal     |
| 8.Decotated light | 17.Back glass(left)      | 26.Bathtub           |
| 9.Mirror          | 18.Aluminous             | 27.Steam outlet      |
|                   |                          | 28.Drainage          |
|                   |                          | 29.Hinge holder      |



- 30. Plastic seal A
- 31. Magnetic seal
- 32. Plastic seal B
- 33. Hingel
- 34. Sliding glass door
- 35. Plastic seal C
- 36. Fixed glass door
- 37. Handrail
- 38. Handrail



SIZE



INSTALL INSTRUCTION

